



Model 332

Compact Load Cell

The high quality load cell model 332, is intended for permanent fitting into machines and installations of all kinds. The load cell is supplied with a precise pressure gauge 100 mm nominal diameter with zero point correction. A wide range of accessories are available to cover most applications.

Technical Information

Model	Size	Nominal value	High-pressure hose (m)	Capillary tube (m)	Weight (kg)	Dimensions (mm)											
						øD1	øD2	øD3	øD4	H1	H2	H3	H4	H5	H6	L1	M1
332- 1 kN	I	1 kN	0,63	1	2	65	40	48	100	80	6,5	10	16	15	49	172	M6
332- 1,6 kN		1,6 kN															
332- 2,5 kN		2,5 kN															
332- 4 kN		4 kN															
332- 6,3 kN		6,3 kN															
332- 10 kN		10 kN	1,5	4													
332- 16 kN		16 kN															
332- 25 kN		25 kN	5	10													
332- 40 kN		40 kN															
332- 63 kN		63 kN															
332- 100 kN	100 kN																
332- 100 kN	II	100 kN	5	10	9	110	66	50	100	128	9	12	18	15	49	195	M8
332- 160 kN		160 kN															
332- 250 kN		250 kN															
332- 400 kN		400 kN															
332- 250 kN	III	250 kN	5	10	30	175	103	170	100	157	12	15	18	15	49	228	M12
332- 400 kN		400 kN															
332- 630 kN		630 kN															
332- 1 MN		1 MN															

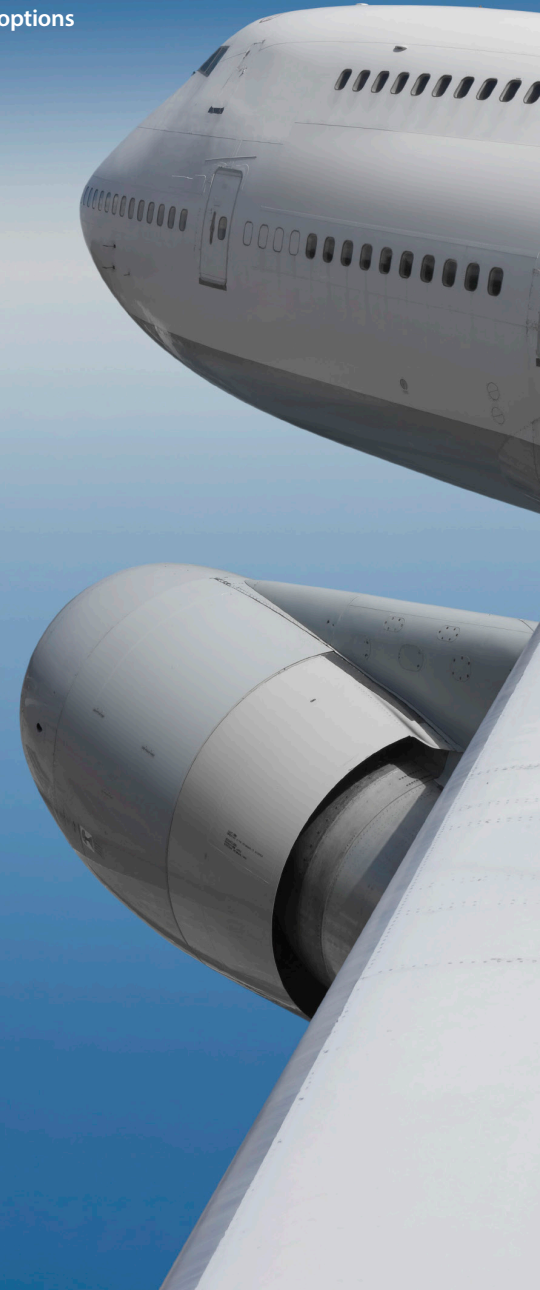
Number of borings:

2 parts each displaced by 180°

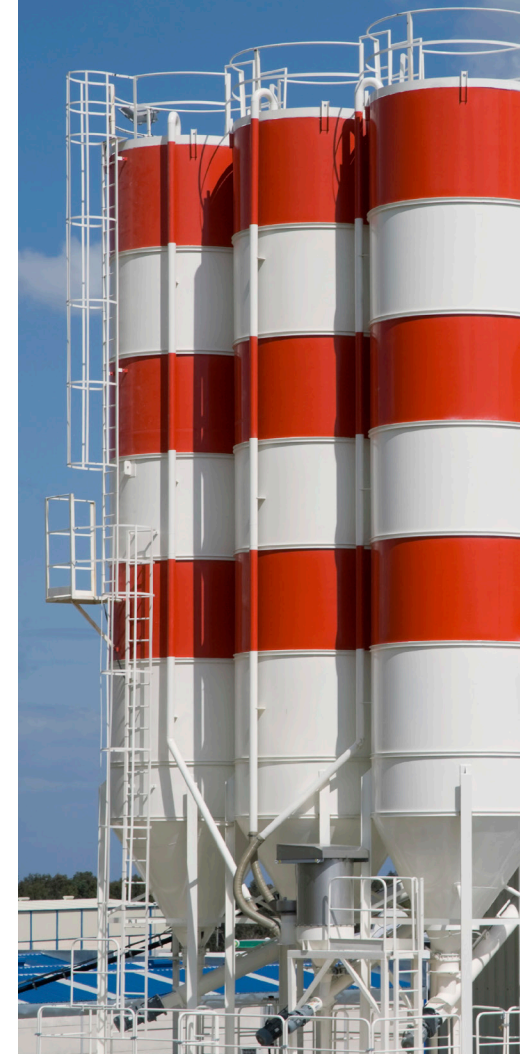
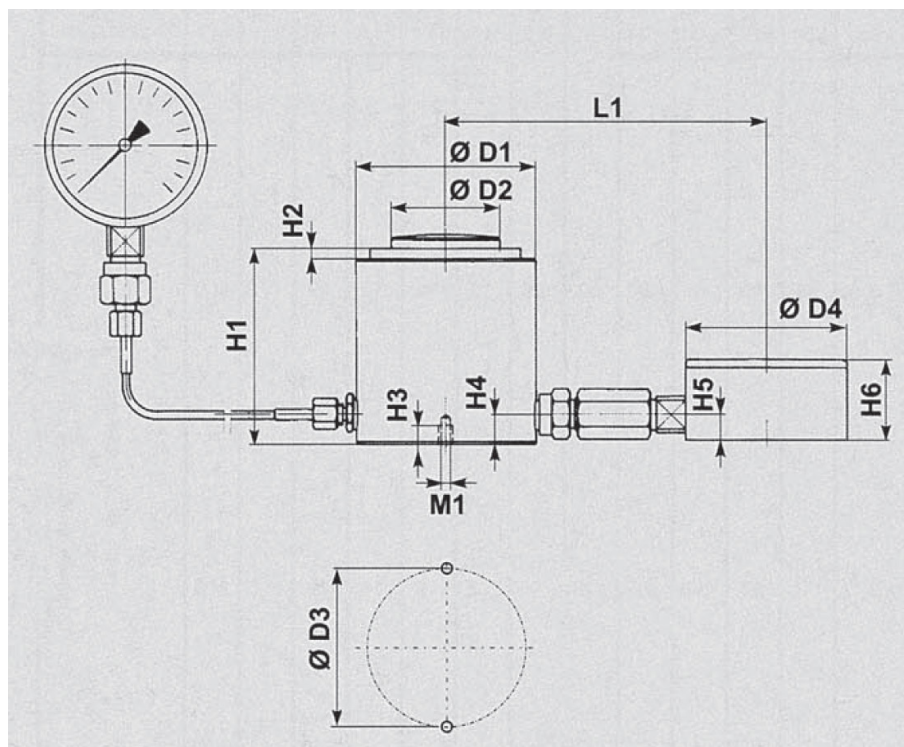
Version "B" (e.g. High-pressure hose, capillary tube, borings etc.) on request.

"A"-version; Load cell with attached display unit, without any accessories or options

"B"-version; Load cell with accessories or options



Technical Information



AMETEK Test & Calibration Instruments

8600 Somerset Drive • Largo, FL 33773 • USA • Tel +1-727-536-7831 • test@ametek.com

© 2015 AMETEK Inc.

Pub code: SS-332 Issue: 1506

Information in this document is subject to change without notice. No part of this document may be reproduced or modified in any form or by any means, electronic or mechanical, without express written permission from AMETEK Test & Calibration Instruments.

Erichsen TM
wuppertal

www.ametektest.com

AMETEK[®]
TEST & CALIBRATION INSTRUMENTS