

Special Compression Devices

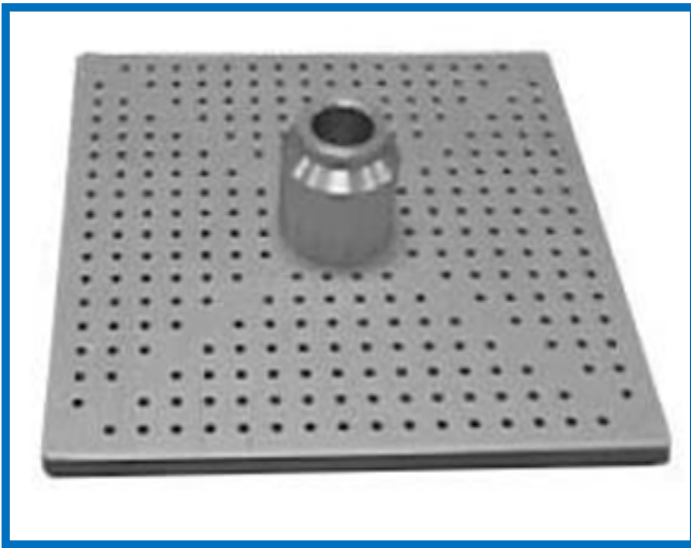
Foam compression jig to ASTM D 3574, top plate round 323cm² bottom plate 390mm x 390mm with 6mm holes spaced at 20mm. Also available on request to ISO3386-1, ISO2439, ASTMD5672

Aluminium Anodized

Temperature Range – 70 °C to + 180 °C

(Plates with other dimensions available on request)

Part Number	Dimensions	Maximum Force	Supplied As	Fixing Type
01/4100	390mm x390mm lower 323cm ² upper	20kN	Pair	5/8 inch



Special Compression Devices

Ball compression fixtures are a range of hardened steel probes that are available with a tip radius in the range 1mm to 50mm, suitable for puncture and penetration tests. Thin film plastics, geotextile membranes, shrink wrap film and stretch wrap films.

May also be used in probing by penetration tests for foods, such as vegetables, fruits, bakery products, meats and fish

Specify the ball radii on order

Hardened Steel – 58 HRC

Temperature Range – 70 °C to + 180 °C

(Other dimensions available on request)

Part Number	Dimensions	Maximum Force	Supplied As	Fixing Type
01/4103	1mm to 50mm radius	10kN	Single	5/8 inch



Round Compression Plates

Round compression plates used for general compression testing. Available in aluminium for the testing of soft samples such as cardboard, plastics, rubber, foams, lightweight springs, bottles and cartons.

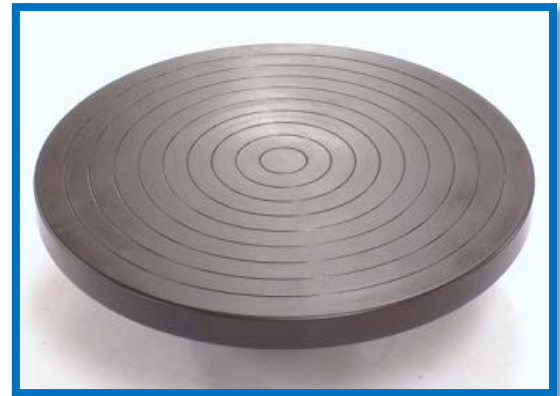
Available in hardened steel for the testing of rubber, plastics, heavy duty springs, building products, composites, and ceramics.

*Aluminium Plates - Aluminium Anodized
Temperature Range – 70 °C to + 180 °C
(Plates with other dimensions available on request)*

Part Number	Diameter Ø	Maximum Force	Weight	Fixing Type
01/4000	56mm	20kN	0.1Kg	15.9mm (5/8 inch)
01/4001	96mm	20kN	0.3Kg	15.9mm (5/8 inch)
01/4002	116mm	20kN	0.4Kg	15.9mm (5/8 inch)
01/4003	156mm	20kN	0.6Kg	15.9mm (5/8 inch)
01/4004	56mm	20kN	0.12Kg	31.8mm (1 ¼ inch)
01/4005	96mm	20kN	0.32Kg	31.8mm (1 ¼ inch)
01/4006	116mm	20kN	0.42Kg	31.8mm (1 ¼ inch)
01/4007	156mm	20kN	0.62Kg	31.8mm (1 ¼ inch)
01/4008	196mm	20kN	1.2Kg	31.8mm (1 ¼ inch)
01/4009	246mm	20kN	1.5Kg	31.8mm (1 ¼ inch)
01/4010	296mm	20kN	3.3Kg	31.8mm (1 ¼ inch)



Aluminium Compression Plate



Steel Compression Plate

Steel Plates - Hardened steel 58 HRC, manganese phosphate treated

Temperature range – 0 °C to + 350 °C

Nickel plated – 70 °C to + 350 °C

(Plates with other dimensions available on request)

Part Number	Diameter Ø	Maximum Force	Weight	Fixing Type
01/4011	56mm	20kN	0.3Kg	15.9mm (5/8 inch)
01/4012	96mm	20kN	0.7Kg	15.9mm (5/8 inch)
01/4013	116mm	20kN	1.1Kg	15.9mm (5/8 inch)
01/4014	156mm	20kN	1.6Kg	15.9mm (5/8 inch)
01/4015	156mm	100kN	1.62Kg	31.8mm (1 ¼ inch)
01/4016	196mm	100kN	4.0Kg	31.8mm (1 ¼ inch)
01/4017	56mm	100kN	0.32Kg	31.8mm (1 ¼ inch)
01/4018	96mm	100kN	0.72Kg	31.8mm (1 ¼ inch)
01/4019	116mm	100kN	1.12Kg	31.8mm (1 ¼ inch)
01/4022	246mm	100kN	4.4Kg	31.8mm (1 ¼ inch)
01/4023	296mm	100kN	9.0Kg	31.8mm (1 ¼ inch)
01/4024	346mm	100kN	12Kg	31.8mm (1 ¼ inch)

Self Aligning Compression Plates

Self aligning compression plates, the device allows the compression plate to self align relative to the direct of applied force. The adaptor can also be locked in a fixed position if required

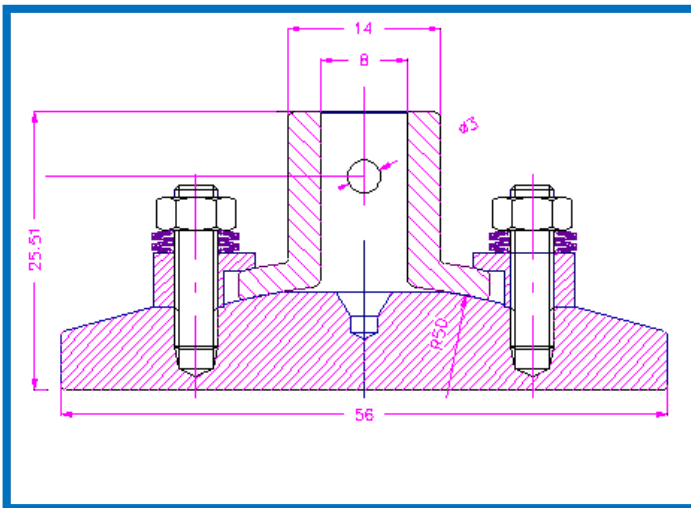
Hardened steel 58 HRC, phosphate coated

Temperature Range 0 °C to + 280 °C

Nickel plated Temperature Range – 70 °C to + 280 °C

(Plates with other dimensions available on request)

Part Number	Dimensions	Maximum Force	Supplied As	Fixing Type	Weight
01/4091	56mm Ø	20kN	Single	5/8 inch	1.27Kg
01/4092	96mm Ø	20kN	Single	5/8 inch	1.4Kg
01/4093	116mm Ø	20kN	Single	5/8 inch	1.7Kg
01/4094	156mm Ø	20kN	Single	5/8 inch	2.7Kg
01/4095	56mm Ø	100kN	Single	1 ¼ inch	5.2Kg
01/3736	156mm Ø	100kN	Single	1 ¼ inch	5.1Kg
01/4097	196mm Ø	100kN	Single	1 ¼ inch	6.4Kg
01/4098	196mm x 196mm	100kN	Single	1 ¼ inch	7Kg

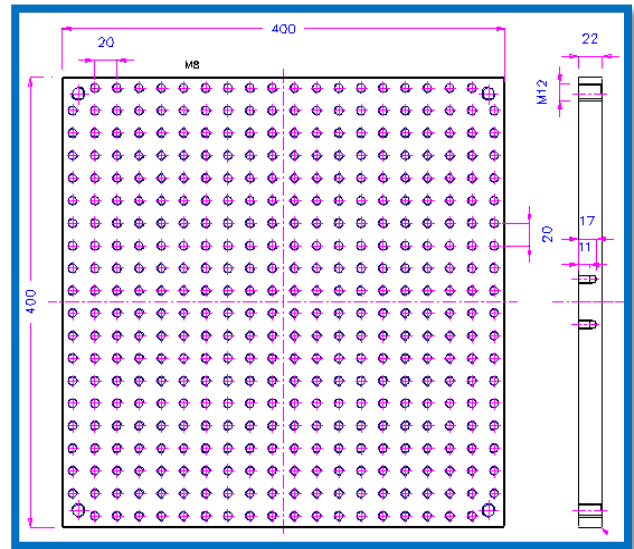
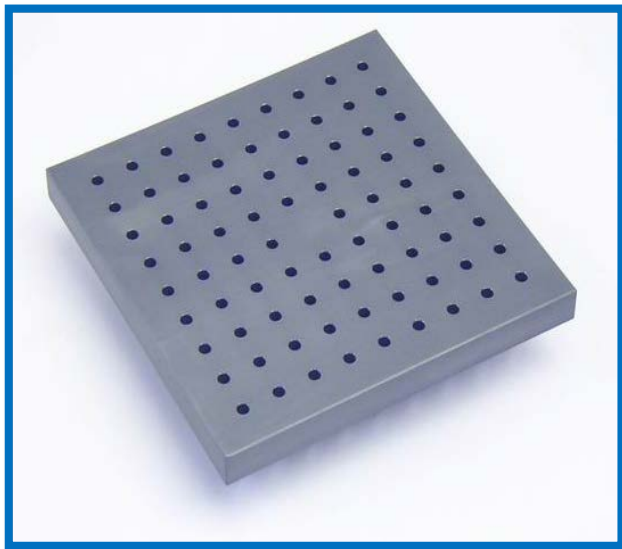


Square and Rectangular Compression Plates with Holes

Square and rectangular compression plates with through holes across the entire surface. Required when testing foam samples to allow air to escape the sample during testing, or damp / wet samples when used in conjunction with a drip tray
ISO3386-1, ISO2439, ASTM D3574 and ASTM D5672 are applicable standards for these grips
Plate holes are 6mm diameter equidistantly spaced at 20mm

Aluminium Plates - Aluminium Anodized
Temperature Range 0 °C to + 180 °C
6mm diameter holes 20mm spaced
(Plates with other dimensions available on request)

Part Number	Dimensions	Maximum Force	Supplied As	Fixing Type
01/4067	120mm x 120mm	20kN	Single Plate	5/8 inch
01/4068	150mm x 150mm	20kN	Single Plate	5/8 inch
01/4069	200mm x 200mm	20kN	Single Plate	5/8 inch
01/4070	150mm x 220mm	20kN	Single Plate	5/8 inch
01/4071	400mm x 400mm	20kN	Single Plate	5/8 inch
01/4072	120mm x 120mm	50kN	Single Plate	1 ¼ inch
01/4073	150mm x 150mm	50kN	Single Plate	1 ¼ inch
01/4074	200mm x 200mm	50kN	Single Plate	1 ¼ inch
01/4075	150mm x 220mm	50kN	Single Plate	1 ¼ inch
01/4076	400mm x 400mm	50kN	Single Plate	1 ¼ inch



Square and Rectangular Compression Plates

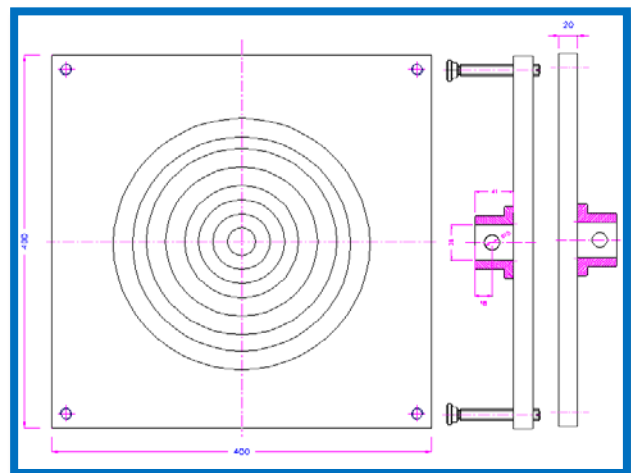
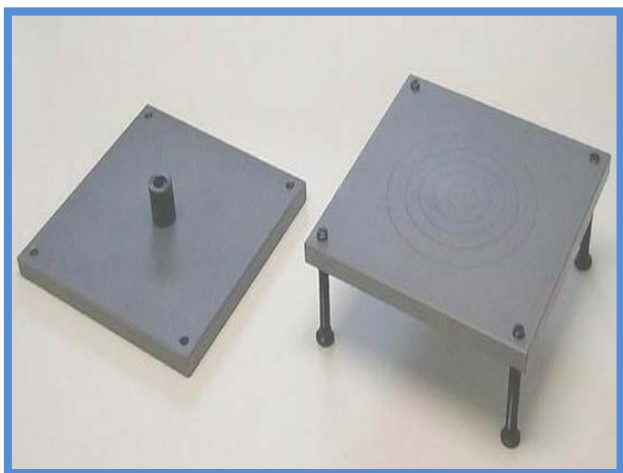
Square and rectangular compression plates used for general compression testing.

Available in aluminium for the testing of soft samples such as cardboard, plastics, rubber, foams, lightweight springs, bottles and cartons.

Available in hardened steel for the testing of rubber, plastics, heavy duty springs, building products, composites, and ceramics.

Aluminium Plates - Aluminium Anodized
Temperature Range – 70 °C to + 180 °C
(Plates with other dimensions available on request)

Part Number	Dimensions	Maximum Force	Supplied As	Fixing Type	Weight
01/4025	50mm x 50mm	20kN	Pair of Plates	5/8 inch	0.2Kg
01/4026	100mm x 100mm	20kN	Pair of Plates	5/8 inch	0.52Kg
01/4027	120mm x 180mm	20kN	Pair of Plates	5/8 inch	1.14Kg
01/4028	125mm x 250mm	20kN	Pair of Plates	5/8 inch	1.73Kg
01/4029	150mm x 150mm	20kN	Pair of Plates	5/8 inch	1.23Kg
01/4030	150mm x 300mm	20kN	Pair of Plates	5/8 inch	2.35Kg
01/4031	200mm x 200mm	20kN	Pair of Plates	5/8 inch	2.10Kg
01/4032	250mm x 250mm	20kN	Pair of Plates	5/8 inch	3.40Kg
01/4033	300mm x 300mm	20kN	Pair of Plates	5/8 inch	4.35Kg
01/4034	350mm x 350mm	20kN	Pair of Plates	5/8 inch	6.60Kg
01/4035	400mm x 400mm	20kN	Pair of Plates	5/8 inch	8.70Kg
01/4036	500mm x 500mm	20kN	Pair of Plates	5/8 inch	10.80Kg
01/4037	400mm x 600mm	20kN	Pair of Plates	5/8 inch	10Kg
01/4038	50mm x 50mm	20kN	Pair of Plates	1 ¼ inch	0.22Kg
01/4039	100mm x 100mm	20kN	Pair of Plates	1 ¼ inch	0.54Kg
01/4040	120mm x 180mm	20kN	Pair of Plates	1 ¼ inch	1.16Kg
01/4041	125mm x 250mm	20kN	Pair of Plates	1 ¼ inch	1.75Kg
01/4042	150mm x 150mm	20kN	Pair of Plates	1 ¼ inch	1.25Kg
01/4043	150mm x 300mm	20kN	Pair of Plates	1 ¼ inch	2.37Kg
01/4044	200mm x 200mm	20kN	Pair of Plates	1 ¼ inch	2.12Kg
01/4045	250mm x 250mm	20kN	Pair of Plates	1 ¼ inch	3.44Kg
01/4046	300mm x 300mm	20kN	Pair of Plates	1 ¼ inch	4.37Kg
01/4047	350mm x 350mm	20kN	Pair of Plates	1 ¼ inch	6.62Kg
01/4048	400mm x 400mm	20kN	Pair of Plates	1 ¼ inch	8.72Kg
01/4049	500mm x 500mm	20kN	Pair of Plates	1 ¼ inch	10.82Kg
01/4050	400mm x 600mm	20kN	Pair of Plates	1 ¼ inch	10.2Kg



Square and Rectangular Compression Plates

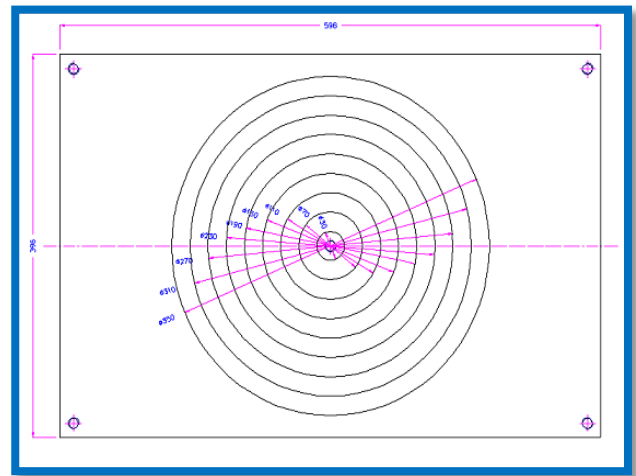
Steel Plates - Hardened steel 58 HRC

Temperature range – 0 °C to + 350 °C

Nickel plated – 70 °C to + 350 °C *(on request)*

(Plates with other dimensions available on request)

Part Number	Dimensions	Maximum Force	Supplied As	Fixing Type	Weight
01/4051	100mm x 100mm	20kN	Single Plate	5/8 inch	1.54Kg
01/4052	196mm x 196mm	20kN	Single Plate	5/8 inch	6.6Kg
01/4053	246mm x 246mm	20kN	Single Plate	5/8 inch	10.4Kg
01/4054	296mm x 296mm	20kN	Single Plate	5/8 inch	13.6Kg
01/4055	396mm x 396mm	20kN	Single Plate	5/8 inch	33.0Kg
01/4056	396mm x 496mm	20kN	Single Plate	5/8 inch	37.0Kg
01/4057	496mm x 496mm	20kN	Single Plate	5/8 inch	43.0Kg
01/4058	396mm x 596mm	20kN	Single Plate	5/8 inch	46.0Kg
01/4059	100mm x 100mm	100kN	Single Plate	1 ¼ inch	1.64Kg
01/4060	196mm x 196mm	100kN	Single Plate	1 ¼ inch	6.7Kg
01/4061	246mm x 246mm	100kN	Single Plate	1 ¼ inch	10.6Kg
01/4062	296mm x 296mm	100kN	Single Plate	1 ¼ inch	13.8Kg
01/4063	396mm x 396mm	100kN	Single Plate	1 ¼ inch	33.8Kg
01/4064	396mm x 496mm	100kN	Single Plate	1 ¼ inch	37.8Kg
01/4065	496mm x 496mm	100kN	Single Plate	1 ¼ inch	43.8Kg
01/4066	396mm x 596mm	100kN	Single Plate	1 ¼ inch	46.8Kg



Square and Rectangular T-Slot Compression Plates

Square and rectangular T-Slot compression plates used for compression testing and holding irregular shaped samples for compression and tension testing, ideal for automotive, electronic circuit boards, plastic components and wood

Available in aluminium and steel versions

Supplied without T-Nuts but available on request as T-Slots vary between grip sizes

Aluminium Plates

Aluminium Anodized

Temperature Range – 70 °C to + 180 °C

(Plates with other dimensions available on request)

Part Number	Dimensions	Maximum Force	Supplied As	Fixing Type
01/4077	250mm x 250mm	20kN	Single Plate	5/8 inch
01/4078	220mm x 400mm	20kN	Single Plate	5/8 inch
01/4079	380mm x 400mm	20kN	Single Plate	5/8 inch
01/4080	250mm x 250mm	20kN	Single Plate	1 ¼ inch
01/4081	220mm x 400mm	20kN	Single Plate	1 ¼ inch
01/4082	380mm x 400mm	20kN	Single Plate	1 ¼ inch

Steel Plates

Hardened steel 58HRC

Temperature Range 0 °C to + 350 °C

Nickel Plated Temperature Range – 70 °C to + 350 °C *(on request)*

(Plates with other dimensions available on request)

Part Number	Dimensions	Maximum Force	Supplied As	Fixing Type
01/4083	250mm x 250mm	20kN	Single Plate	5/8 inch
01/4084	220mm x 400mm	20kN	Single Plate	5/8 inch
01/4085	380mm x 400mm	20kN	Single Plate	5/8 inch
01/4086	296mm x 496mm	20kN	Single Plate	5/8 inch
01/4087	250mm x 250mm	100kN	Single Plate	1 ¼ inch
01/4088	220mm x 400mm	100kN	Single Plate	1 ¼ inch
01/4089	380mm x 400mm	100kN	Single Plate	1 ¼ inch
01/4090	296mm x 496mm	100kN	Single Plate	1 ¼ inch

